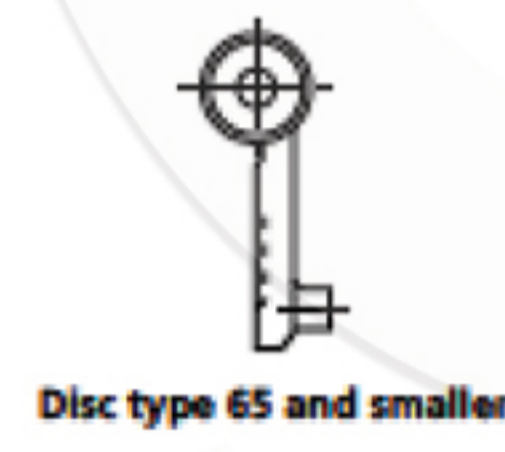
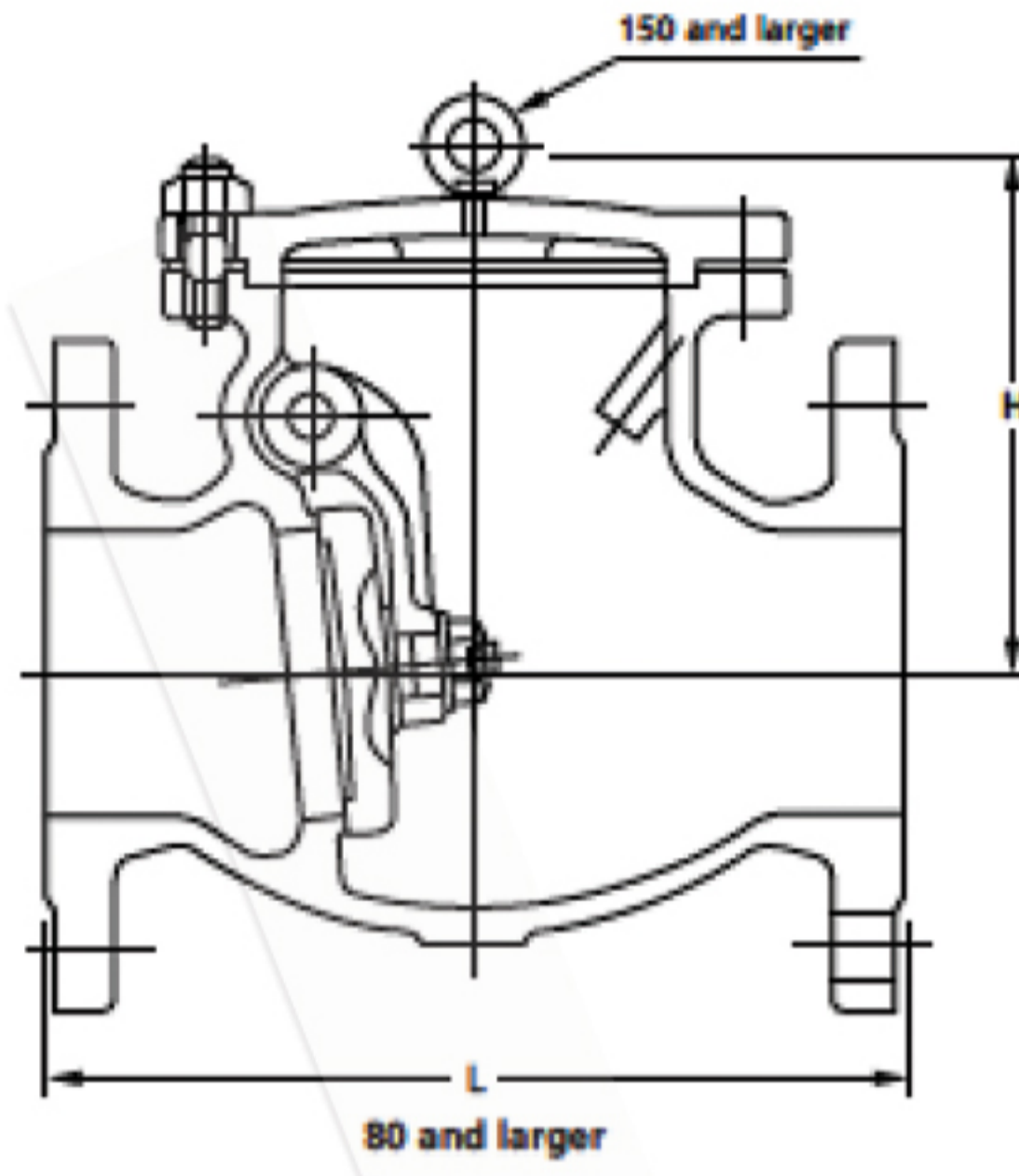


10K

SWING CHECK VALVE

Pressure-Temperature Rating: JIS B2220

10UOA(T)



Materials

Parts	10UOA(T)*	10UOAM(T)*
Body	SCS13A	SCS14A
Cover	SCS13A	SCS14A
Disc	SCS13A	SCS14A
Disc nut**/**	SUS304	SUS316L
Gasket	Refer to Page 10	
Hinge pin	SUS304	SUS316
Plug	SUS304	SUS316
Arm**	SCS13A	SCS14A
Washer**	SUS316, SUS316L (3 to 6)	
Cover bolt/nut	SUS304/304	
Split pin	SUS316L	
Name plate	A1050P	

*(T) Suffixing stands for the provision of ceramic filled PTFE gaskets
 **For size 80 and larger
 Note: Body seats and/or disc seats can be optionally hard-faced.

Items	
Face to face dimensions	ASME B16.10 Class 150
End flange dimensions	JIS B2220 10K
Wall thickness	ASME B16.34 Class 150

Nominal Size		1½	2	2½	3	4	5	6	8	10	12	14	16	18	20	24
			40	50	65	80	100	125	150	200	250	300	350	400	450	500
L	in.	6.50	7.99	8.50	9.49	11.5	13.0	14.0	19.5	24.5	27.5	31.0	34.0	38.50	38.50	51.00
	mm	165	203	216	241	292	330	356	495	622	698	787	864	978	978	1295
H	in.	4.37	4.76	5.28	5.83	6.38	7.56	8.54	10.39	11.3	12.4	14.3	16.0	18.70	19.88	23.43
	mm	111	121	134	148	162	192	217	264	287	315	363	407	475	505	595